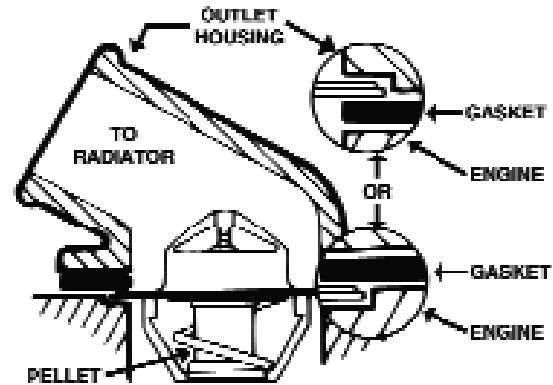


Installation Instructions

For Most Reverse Poppet Thermostats

Caution: Failure to comply with these instructions may result in serious injury.

1. Allow cooling system to cool before servicing.
2. Prevent accidental starting of the engine by removing the ignition key.
3. Drain and flush cooling system.
4. Remove the outlet housing and take out old thermostat and gasket.
5. Clean gasket mounting surfaces.
6. Install thermostat with copper pellet toward engine (see installation sketch).
7. Install new gasket by aligning bolt holes.
8. Replace outlet housing. Tighten bolts evenly.
9. Refill cooling system and run engine with radiator cap removed to normal operating temperature while checking for leaks.
10. After engine has reached normal operating temperature, shut off engine and allow engine to cool and recheck coolant level. Add coolant if needed. Test radiator pressure cap and replace if needed. Install radiator pressure cap.



NOTE: If the thermostat has a jiggle pin, check valve, or other feature to assist in bleeding air from the system in a vertical installation, the jiggle pin should be located at the north or 12 o'clock location.